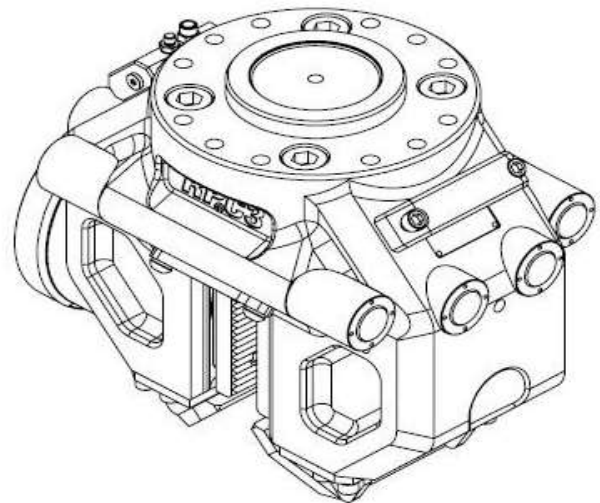
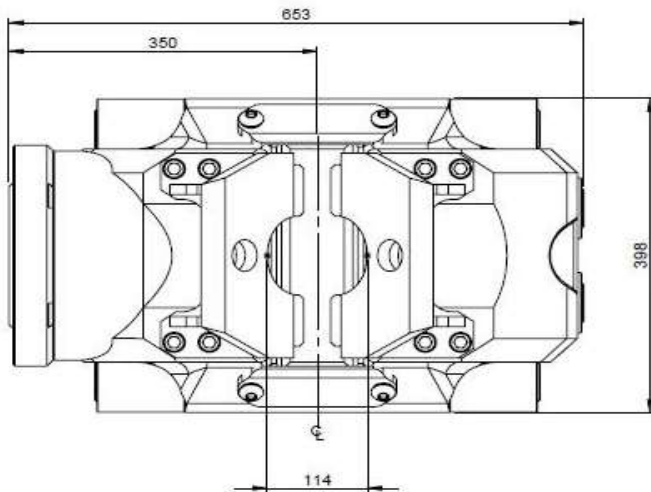
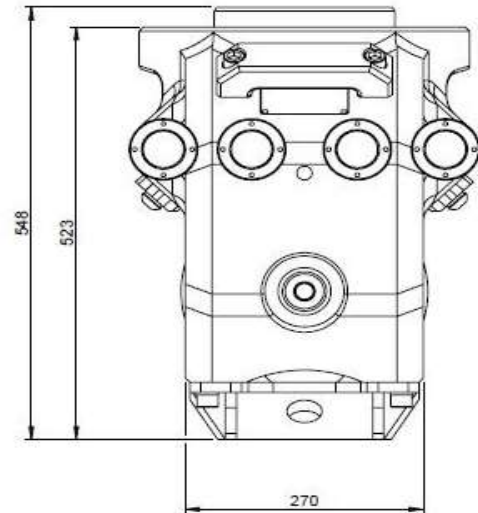
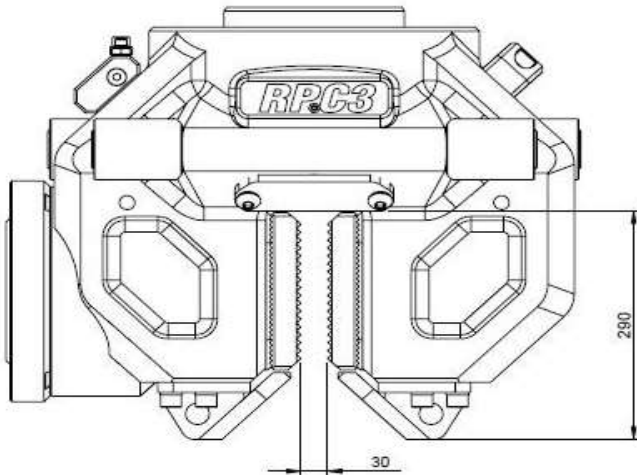




Specification sheet

PVE RPC3

Sheet Pile Clamp



Specifications :

PVE RPC3

| | | |
|------------------------|------|-----|
| Sheet pile clamp | | |
| Clamping force | 1650 | kN |
| Max. operating press. | 690 | bar |
| Max. clamp open press. | 180 | bar |
| Weight | 470 | kg |