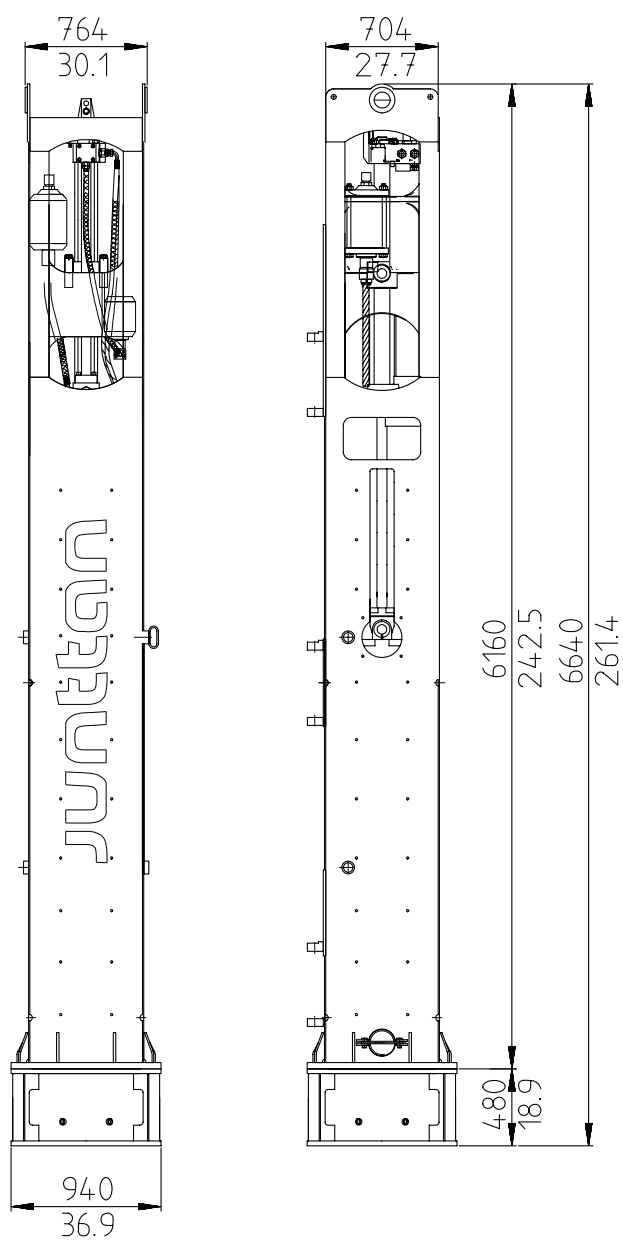


Hydraulic Impact Hammer

HHK 7A

HHK 7/9A



JUNTTAN HHK 7A

Max. energy		82 kNm	60 757 ft-lb
Max drop height		1,2 m	3,94 ft
Blows per minute		40 – 100	40 – 100
Ram weight		7 000 kg	15 432 lb
Total weight	including A-type drive cap	11 000 kg	24 251 lb
Oil flow		398 l/min	105 gpm
Operating pressure		183 bar	2 654 psi
Theoretical power output		121 kW	165 hp
Hoses			
	– pressure line	38 mm	1 ½ inch
	– return line	38 mm	1 ½ inch
Drive cap housing (std)	Ø:	880 mm	34.6 inch
Drive cap types	A-type:	for metal tubes	for metal tubes
	B-type:	for concrete piles	for concrete piles
Drive cap max. inner diameter	A-type:	Ø 850 mm	33.5 inch
	B-type:	□ 550 x 550	21.5 x 21.5
Larger drive cap diameters available on special request			
Suitable Piling Rigs		PMx25, PM25H, PM26 – PM30	PMx25, PM25H, PM26 – PM30
Suitable Powerpacks		10XCU, 15CCU – 30CCU	10XCU, 15CCU – 30CCU

Accessories

* Guide claws			* Lifting cat
* Extensions			* Flying leader
* Energy measurement device			* Additional noise insulation package
* Additional drive caps			* Powerpacks
* Pile sleeves			

Technical details with extensions

JUNTTAN HHK 7/9A		9T	9T
Max. energy		106 kNm	78 116 ft-lb
Max drop height		1,2 m	3,94 ft
Blows per minute		40 – 100	40 – 100
Ram weight		9 000 kg	19 842 lb
Total weight	including A-type drive cap	13 500 kg	29 762 lb
Oil flow		398 l/min	105 gpm
Operating pressure		235 bar	3 408 psi
Theoretical power output		156 kW	212 hp
Suitable Piling Rigs		PM25H, PM26 – PM30	PM25H, PM26 – PM30
Suitable Powerpacks		10XCU, 15CCU – 30CCU	10XCU, 15CCU – 30CCU

JUNTTAN

Junttan Oy
P.O. Box 1702 (Matkuksentie 7)
FI-70701 KUOPIO, Finland

Tel. +358 10 195 221
Fax +358 17 287 4411
junttan@junttan.com